

## Hybrid Voltage Controlled Oscillators 1 – 20 GHz

### FEATURES

- UP TO 20 GHZ OUTPUT
- OCTAVE BANDWIDTHS AVAILABLE
- LOW TUNE VOLTAGE RANGE
- LOW POST TUNING DRIFT

### DESCRIPTION

Spinnaker Microwave's Broadband VCO's were designed to meet the challenges of today's Military, Industrial, and Communication system applications. The hybrid designs unique advantage is its ability to offer any possible frequency output from 800 MHz to 20 GHz with only small changes. This ease of reconfiguration allows great control of parameters such as modulation sensitivity, post tuning drift, and power variation. Buffered output and hermetic seal are standard.



### OPTIONS AVAILABLE:

(please inquire for details)

5V Bias, Integrated Divider / Doubler MMIC, Output Power to +25 dBm, -55 to +100 deg Operation, Harmonic Filtering

### BROADBAND VCO'S – Any Frequency Available From 1 to 20 GHz

Sample Model #	Bandwidth (MHz)	Output Power dBm	Tuning Voltage Volts	Phase Noise @ 100 KHz dBc/HZ	Harmonics dBc	DC Bias Volts	Package
VC1738B1	1700 - 3800	10-14	1 – 18	-95	-12	+ 12	Available In:
VC2040B1	2000 - 4000	10-14	0.5 – 18	-95	-12	+ 12	-TO-8(A)
VC3060B1	3000 – 6000	10-14	0.5 – 18	-95	-12	+ 12	-SMT(C)
VC4080B1	4000 - 8000	10-14	0.5 – 18	-92	-12	+ 15	-Module(D)
VC6090B1	6000 - 9000	10-14	0.5 – 18	-95	-12	+ 15	
VC6586B1	6500 - 8600	10-14	1 - 15	-95	-12	+ 12	
VC7595B1	7500 - 9500	10-14	1 - 20	-95	-12	+ 12	
VC8090B1	8000 - 9000	10-14	1 - 15	-95	-12	+ 15	
VC0812B1*	8000 - 12000	10-18	1 - 15	-80	-15	+ 12	Module(E)
VC1218B1*	12000 - 18000	10-18	0.5 - 18	-80	-12	+ 15	Module(E)

### DUAL OUTPUT VCO'S – Fundamental and x2 Outputs, Up to 18 GHz

<b>F2F2629</b>	2600 – 2900	-3 / + 3	1 – 10	-100	-15	+10	Available In: - TO-8B - Module(E)
	5200 - 5800	10 - 14					
<b>F2F4457</b>	4400 – 5700	-3 / + 3	1 – 12	-90	-15	+10	
	8800 - 11400	8 – 12					
<b>F2F7580</b>	7500 – 8000	-3 / + 3	1 – 10	-90	-15	+12	
	15000 - 16000	8 – 12					
<b>F2F8590</b>	8500 – 9000	-3 / + 3	1 – 10	-90	-15	+12	
	17000 - 18000	8 - 12					

\* Indicates doubled VCO design

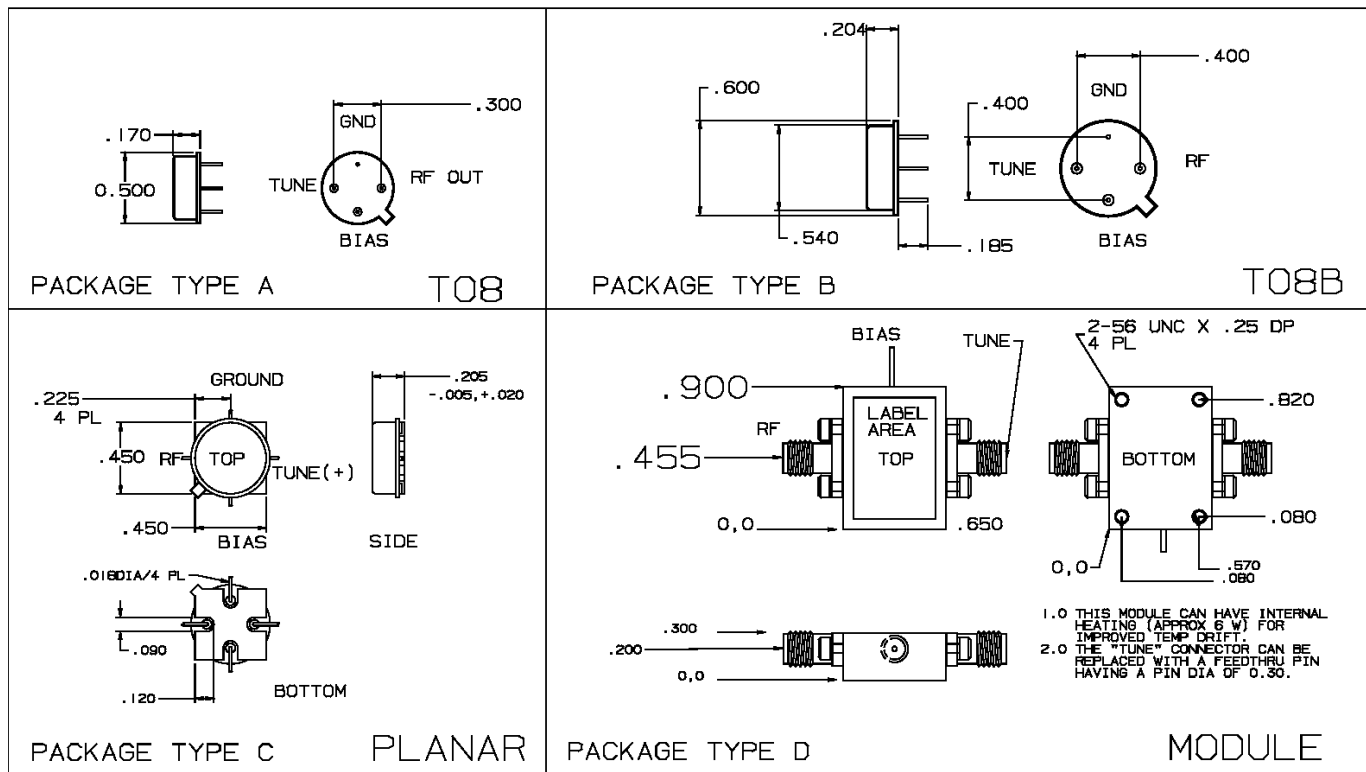
SAMPLE LIST ONLY, OTHER MODELS / FREQUENCIES AVAILABLE



**SPINNAKER**  
MICROWAVE, INC.

**Hybrid Voltage Controlled Oscillators**  
**1 – 20 GHz**

Standard VCO Packages, Other configurations available, please consult factory



Certificate # A2498US