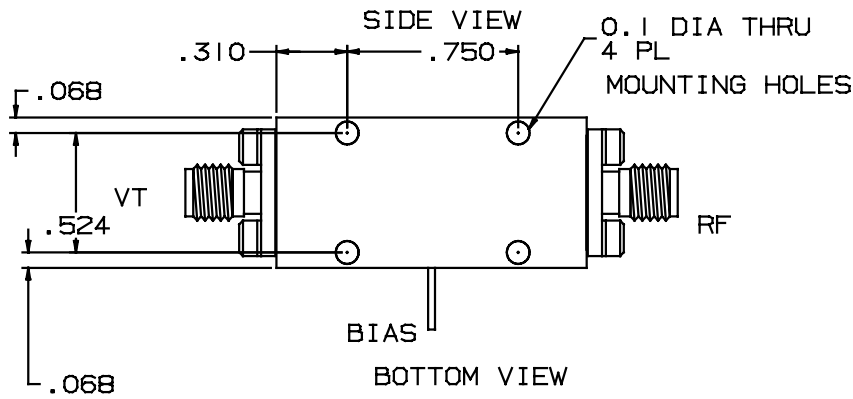
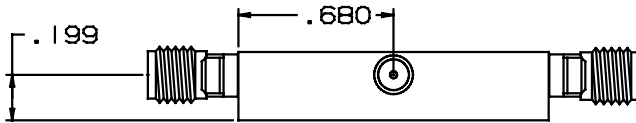
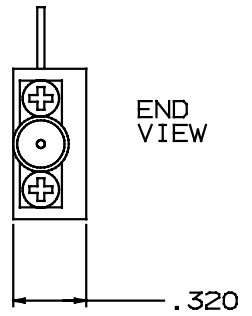
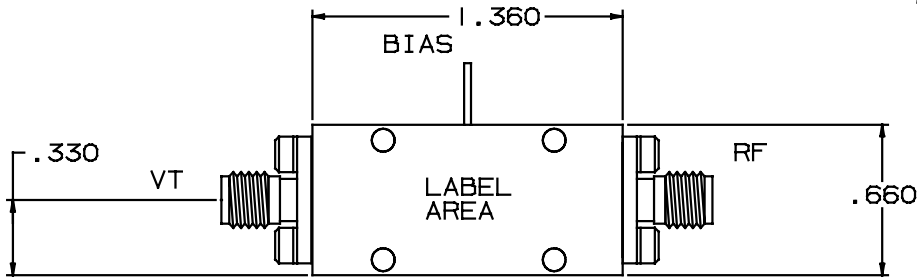


| LTR | DESCRIPTION | DATE | APPROVED |
|-----|-------------|---------|----------|
| | | 12/3/97 | |



| | | | | | | | |
|-----------|---------|--|-----------|------|---------------------|--------------------|--------------|
| | | | APPROVALS | DATE | SPINNAKER MICROWAVE | | |
| | | | DRAWN | RJF | 12/3/97 | OX-2 EQUIV PACKAGE | |
| | | | CHECKED | | | CODE IDENT NO. | DRAWING NO |
| | | | | | | | REV |
| | | | | | | SCALE | SHEET 1 OF 1 |
| NEXT ASSY | USED ON | | | | | | |